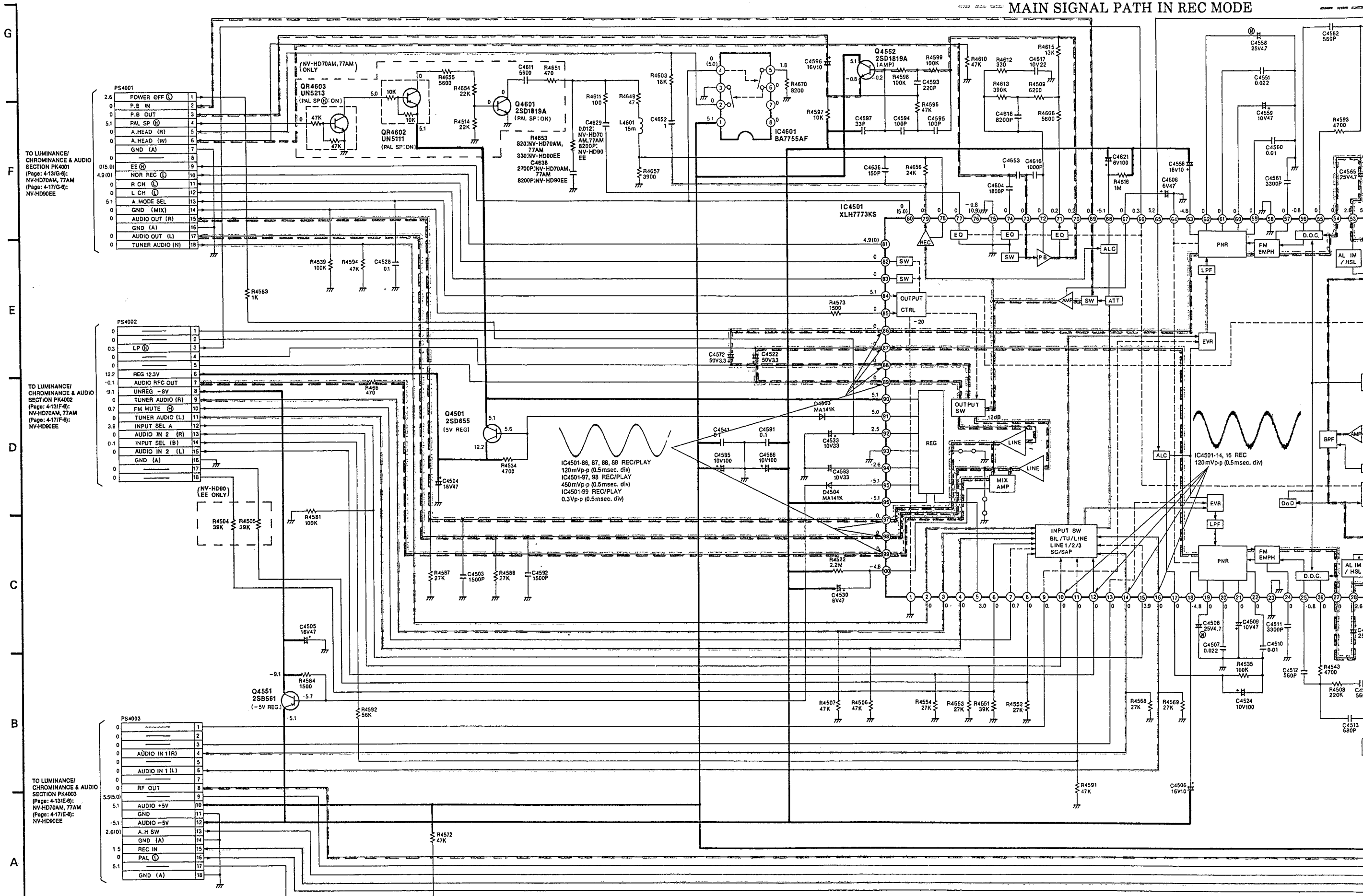


4-13. Hi-Fi AUDIO PACK SCHEMATIC DIAGRAM

MAIN SIGNAL PATH IN REC MODE



PS4001
 2.6 POWER OFF (1)
 0 P.B IN (2)
 0 P.B OUT (3)
 5.1 PAL SP (4)
 0 A.HEAD (R) (5)
 0 A.HEAD (W) (6)
 0 GND (A) (7)
 0 (8)
 0 EE (9)
 4.9(0) NOR REC (10)
 0 R CH (11)
 0 L CH (12)
 5.1 A.MODE SEL (13)
 0 GND (MIX) (14)
 0 AUDIO OUT (R) (15)
 0 GND (A) (16)
 0 AUDIO OUT (L) (17)
 0 TUNER AUDIO IN (18)

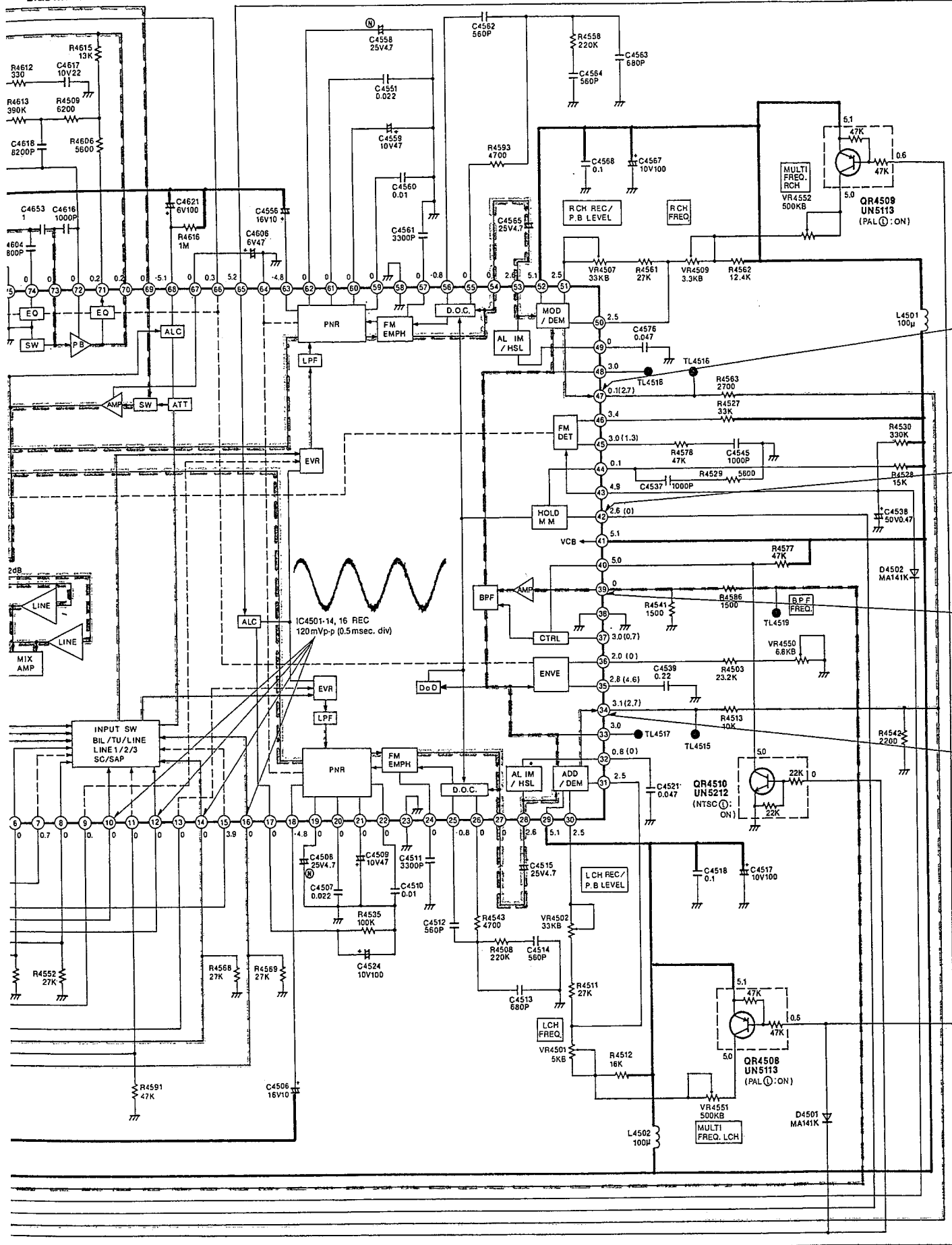
PS4002
 1 (1)
 0 (2)
 0 LP (3)
 0 (4)
 0 (5)
 12.2 REG 12.3V (6)
 -0.1 AUDIO RFC OUT (7)
 0 UNREG -8V (8)
 0 TUNER AUDIO (R) (9)
 0 FM MUTE (10)
 0.7 TUNER AUDIO (L) (11)
 3.9 INPUT SEL A (12)
 0.1 AUDIO IN 2 (R) (13)
 0 INPUT SEL (B) (14)
 0 AUDIO IN 2 (L) (15)
 0 GND (A) (16)
 0 (17)
 0 (18)

PS4003
 0 (1)
 0 (2)
 0 (3)
 0 AUDIO IN 1 (R) (4)
 0 (5)
 0 AUDIO IN 1 (L) (6)
 0 (7)
 0 RF OUT (8)
 0 (9)
 5.5(5.0) AUDIO +5V (10)
 0 GND (11)
 -5.1 AUDIO -5V (12)
 2.6(0) A.H SW (13)
 0 GND (A) (14)
 1.5 REC IN (15)
 0 PAL (16)
 5.1 GND (A) (17)
 0 (18)

NOTE: THE MEASUREMENT MODE OF THE DC VOLTAGE IN THE BRACKETS () ON THIS DIAGRAM IS RECORD MODE WITH PAL COLOUR SIGNAL. (SP MODE)
 THE MEASUREMENT MODE OF THE DC VOLTAGE OUT OF THE BRACKETS ON THIS DIAGRAM IS PLAYBACK MODE WITH PAL COLOUR SIGNAL. (SP MODE)
 • LINE IN SIGNAL LEVEL... -10dB 1kHz

MAIN SIGNAL PATH IN REC MODE

MAIN SIGNAL PATH IN PLAYBACK MODE



- IC4501-47 REC
0.3Vp-p (20µsec. div)
- IC4501-42 PLAY
5.0Vp-p (10msec. div)
- IC4501-39 PLAY
0.6Vp-p (20µsec. div)
- IC4501-34 REC
0.4Vp-p (20µsec. div)

THE BRACKETS ON THIS DIAGRAM IS PLAYBACK MODE

• LINE IN SIGNAL LEVEL... - 10dB 1kHz

NOTE: DO NOT USE ANY PART NUMBER SHOWN ON THIS SCHEMATIC DIAGRAM FOR ORDERING. WHEN YOU ORDER A PART, PLEASE REFER TO PARTS LIST.